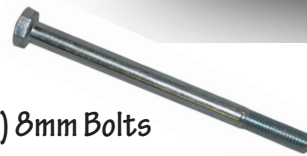




Brush Guard for Club Car Precedent Installation Instructions



Brush Guard



(2) 8mm Bolts



(2) 10mm nuts



(2) 8mm nuts



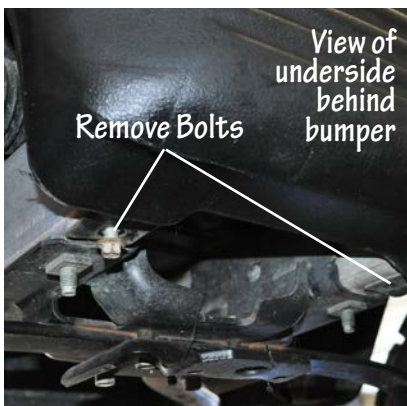
(2) 8mm Flat Washers



(2) 10mm Flat Washers

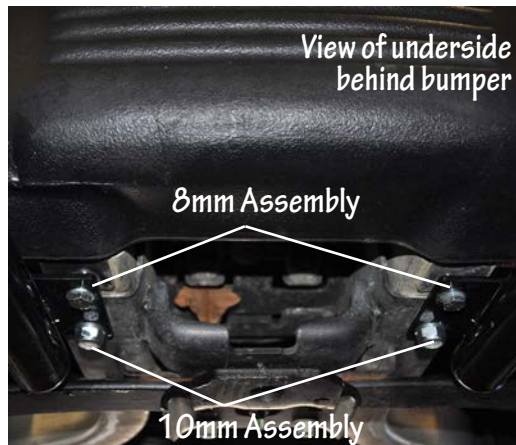


Front Bumper



View of underside behind bumper

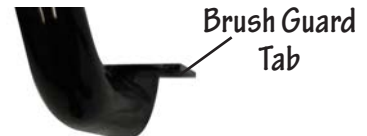
Remove Bolts



View of underside behind bumper

8mm Assembly

10mm Assembly



Brush Guard Tab

3. Line up rear holes on brushguard tabs with 10mm bolts protruding from bottom frame rails on each side. Install 10mm bolts and washers.

4. Install 8mm bolts and washers supplied in front holes through bumper frame and brushguard.

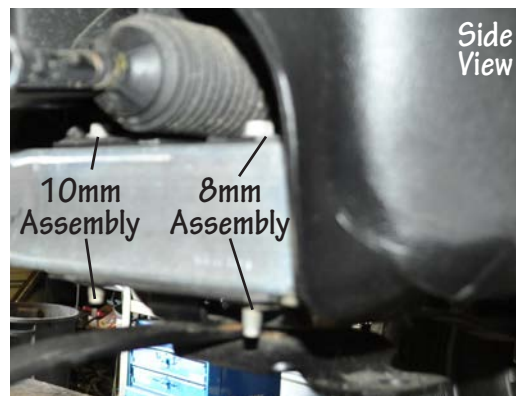
1. Remove 2 bolts attaching front bumper or headlight as shown.

2. Assemble Bolts and Washers as shown.



Bolt

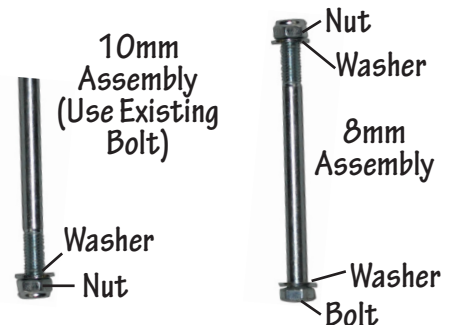
Washer



Side View

10mm Assembly

8mm Assembly



10mm Assembly (Use Existing Bolt)

Washer
Nut

Nut
Washer
8mm Assembly
Washer
Bolt

5. Secure Brush Guard with washers and nuts as shown. Tighten Nuts.